



RoHS compliant
TX-1330/RX-1270 nm Single-mode Bi-directional , 10km
SFP LC Simplex Connector
10.3125Gbps



Features

- 10.3125Gbps application
- Compliant with SFF 8432 SFP+ Module
- Simplex LC connector
- Single power supply 3.3V
- LVTTL signal detect indicator
- Hot Pluggable
- Class 1 laser product complies with EN 60825-1
- Reliability compliant with Telcordia (Bellcore) GR-468-CORE

Ordering Information

PART NUMBER	TX/RX	INPUT/OUTPUT	LOS	TEMPERATURE	LD Type
LG38-H3S-TC-N33	1330/1270	AC/AC	LVTTL	0 °C to 70 °C	1330 DFB
LG38-H3S-TI-N33	1330/1270	AC/AC	LVTTL	-40 °C to 85 °C	1330 DFB



RoHS compliant
 TX-1330/RX-1270 nm Single-mode Bi-directional , 10km
 SFP LC Simplex Connector
 10.3125Gbps

Diagnostics

Parameter	Range	Accuracy	Calibration
Internal Transceiver Temperature	-45 to 95 °C	± 3 °C	Internal
Internal Transceiver Voltage	3.1 to 3.5 V	± 0.1 V	
Bias Current	0 to 100 mA	± 10 %	
TX Power	-5 to +0.5 dBm	± 3 dB	
RX average Power	-14 to 0 dBm	± 3 dB	

Absolute Maximum Ratings

PARAMETER	SYMBOL	MIN	MAX	UNITS	NOTE
Storage Temperature	T_S	-40	85	°C	
Supply Voltage	V_{CC}	-0.5	4.0	V	
Input Voltage	V_{IN}	-0.5	V_{CC}	V	

Recommended Operating Conditions

PARAMETER	SYMBOL	MIN	MAX	UNITS	NOTE
Case Operating Temperature	T_C	0	70	°C	For TC type
		-40	85	°C	For TI type
Supply Voltage	V_{CC}	3.1	3.5	V	
Supply Current	$I_{TX} + I_{RX}$	---	300	mA	For TC type
		---	350		For TI type
Fiber	SMF(G.652)				
Distance	D	---	10	km	
Dispersion penalty			2	dB	@10KM



RoHS compliant
 TX-1330/RX-1270 nm Single-mode Bi-directional , 10km
 SFP LC Simplex Connector
 10.3125Gbps

Transmitter Electro-optical Characteristics

$V_{CC} = 3.1\text{ V to }3.5\text{ V}$, For TC type : $T_C = 0^\circ\text{C to }70^\circ\text{C}$, For TI type : $T_C = -40^\circ\text{C to }85^\circ\text{C}$

PARAMETER	SYMBOL	MIN	TYP.	MAX	UNITS	NOTE
Bit Rate	B	---	10.3125	---	Gbps	
Output Optical Power	P_{out}	-5	---	0.5	dBm	Average
Extinction Ratio	ER	4.8	---	---	dB	
Center Wavelength	λ_c	1320	1330	1340	nm	
Spectral Width (-20dB)	$\Delta\lambda$	---	---	1	nm	
Side Mode Suppression Ratio	$SMSR$	30			dB	
Max. P_{out} TX-DISABLE Asserted	P_{OFF}	---	---	-45	dBm	
Differential Input Voltage	V_{DIFF}	180		850	mV	
Transmit Fault Output-Low	TX_FAULT_L	0.0	---	0.5	V	
Transmit Fault Output-High	TX_FAULT_H	2.4	---	V_{CC}	V	
TX_DISABLE Assert Time	t_{off}	---	---	100	μs	
TX_DISABLE Negate Time	t_{on}	---	---	2	ms	
Time to initialize, include reset of TX_FAULT	t_{init}	---	---	300	ms	
TX_FAULT from fault to assertion	t_{fault}	---	---	100	μs	
TX_DISABLE time to start reset	t_{reset}	10	---	---	μs	



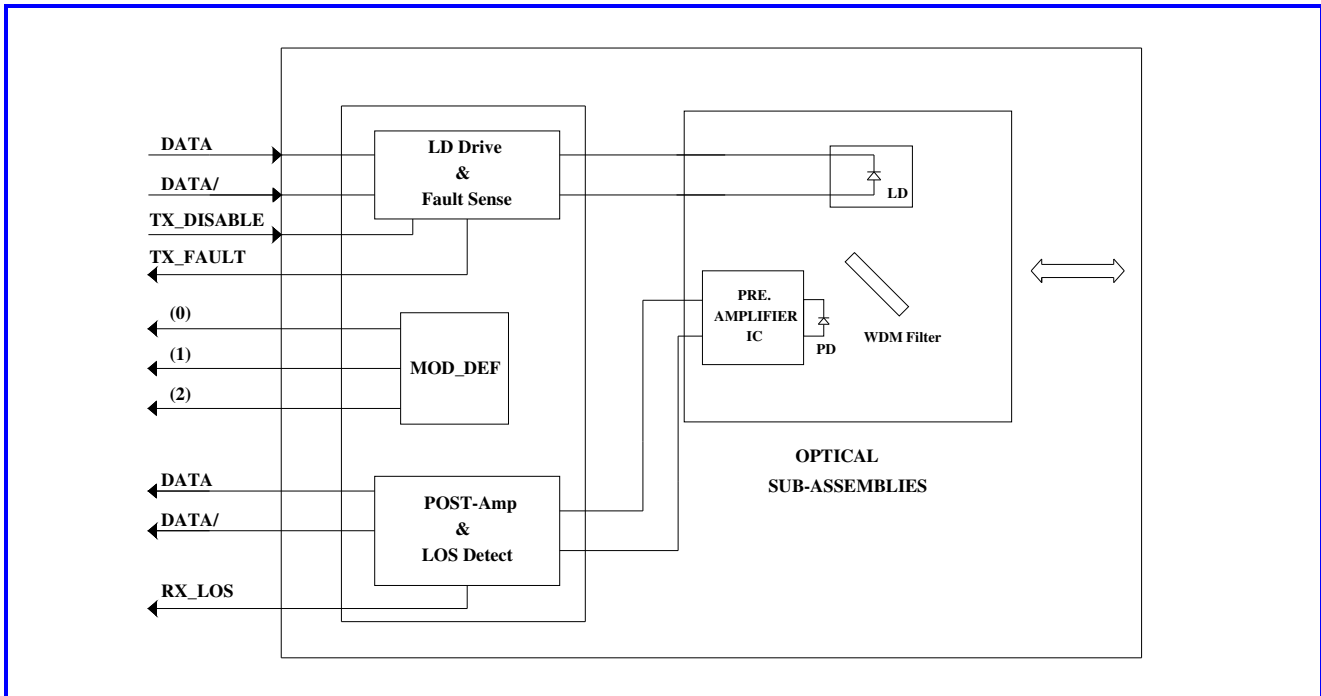
RoHS compliant
 TX-1330/RX-1270 nm Single-mode Bi-directional , 10km
 SFP LC Simplex Connector
 10.3125Gbps

Receiver Electro-optical Characteristics

$V_{CC} = 3.1\text{ V to }3.5\text{ V}$, For TC type : $T_C = 0^\circ\text{C to }70^\circ\text{C}$, For TI type : $T_C = -40^\circ\text{C to }85^\circ\text{C}$

PARAMETER	SYMBOL	MIN	TYP.	MAX	UNITS	NOTE
Bit Rate	B	---	10.3125	---	Gbps	
Optical Input Power-maximum	P_{IN}	0.5	---	---	dBm	BER < 10^{-12}
Optical Input Power-minimum (Sensitivity)	P_{IN}	---	---	-14	dBm	BER < 10^{-12}
Operating Center Wavelength	λ_C	1260	---	1280	nm	
Optical Return Loss	ORL	14	---	---	dB	
Loss of signal -Deasserted	P_D	---	---	-14	dBm	
Loss of signal -Asserted	P_A	-30	---	---	dBm	
Differential Output Voltage	V_{DIFF}	350	---	850	mV	
Receiver Loss of Signal Output Voltage-Low	RX_LOS_L	0	---	0.5	V	
Receiver Loss of Signal Output Voltage-High	RX_LOS_H	2.4	---	V_{CC}	V	
Receiver Loss of Signal Assert Time (off to on)	t_{A,RX_LOS}	---	---	100	μs	
Receiver Loss of Signal Assert Time (on to off)	t_{D,RX_LOS}	---	---	100	μs	

Block Diagram of Transceiver



Transmitter and Receiver Optical Sub-assembly Section

A 1330 nm InGaAsP laser and an InGaAs PIN photodiode integrate with a WDM filter to form a bi-directional single fiber optical subassembly (OSA). The laser of OSA is driven by a LD driver IC which converts differential input signals into an analog laser driving current. And, the photodiode of OSA is connected to a circuit providing post-amplification quantization, and optical signal detection.

TX_DISABLE

The TX_DISABLE signal is high (TTL logic “1”) to turn off the laser output.

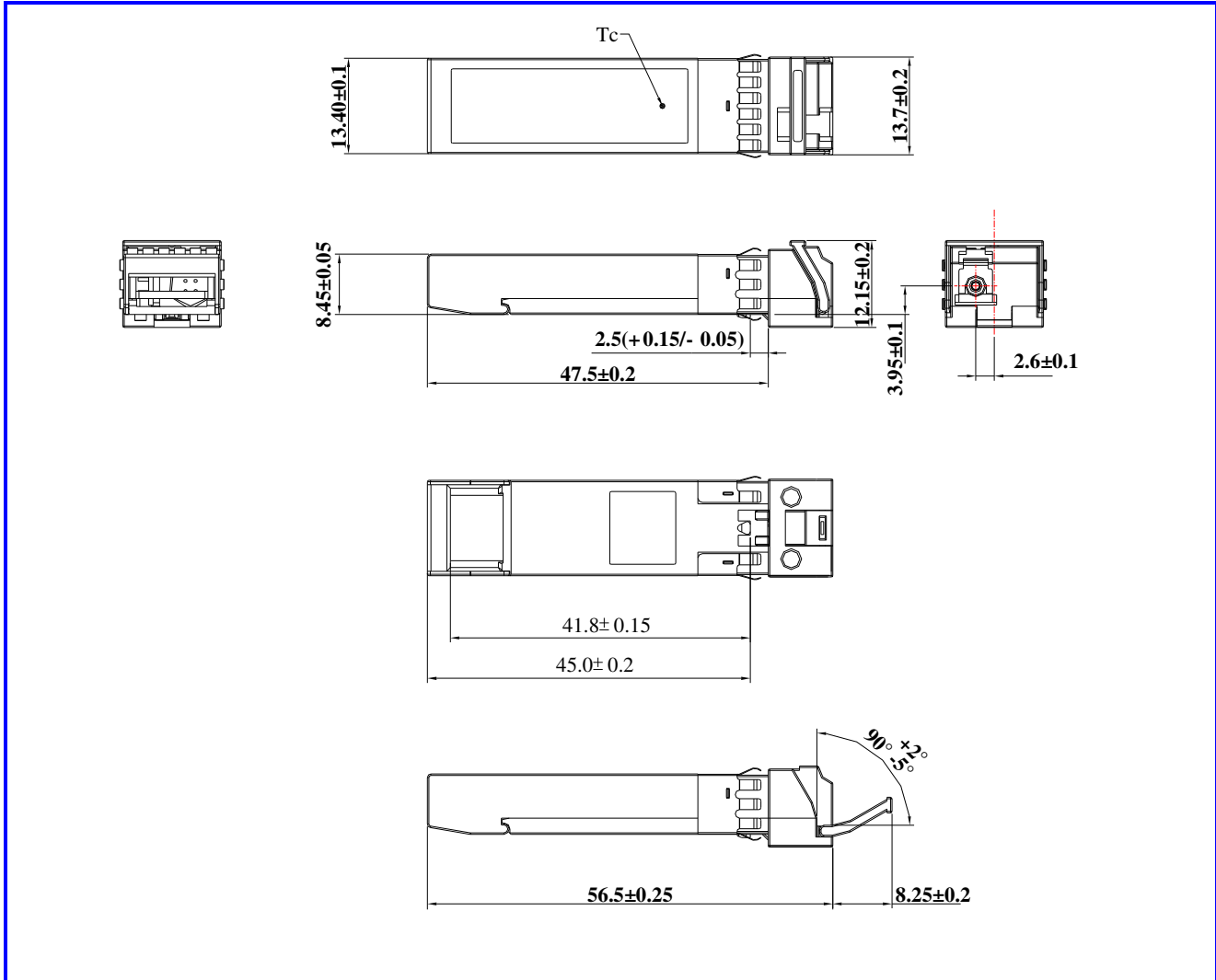
Receive Loss (RX_LOS)

The RX_LOS is high (logic “1”) when there is no incoming light from the companion transceiver. This signal is normally used by the system for the diagnostic purpose. The signal is operated in TTL level.



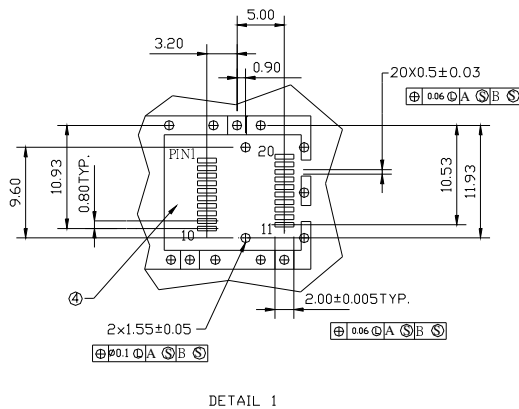
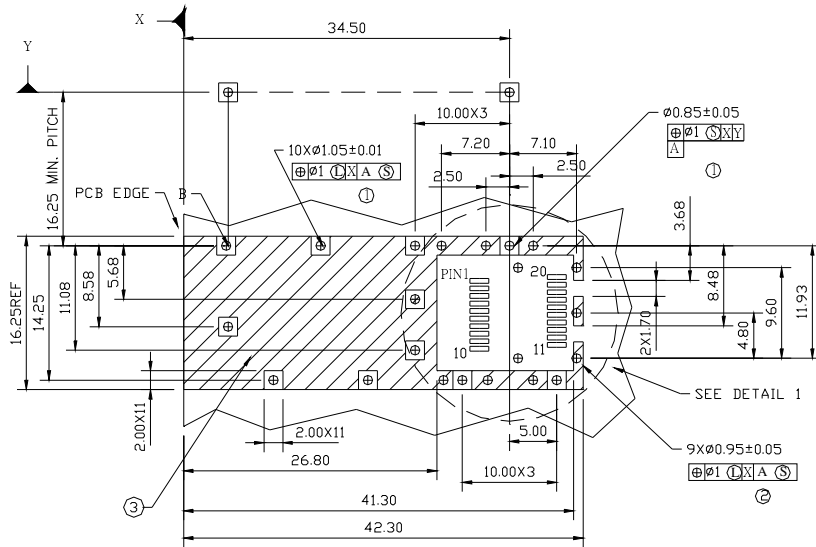
RoHS compliant
TX-1330/RX-1270 nm Single-mode Bi-directional , 10km
SFP LC Simplex Connector
10.3125Gbps

Dimensions



Latch color: Green

SFP host board mechanical layout



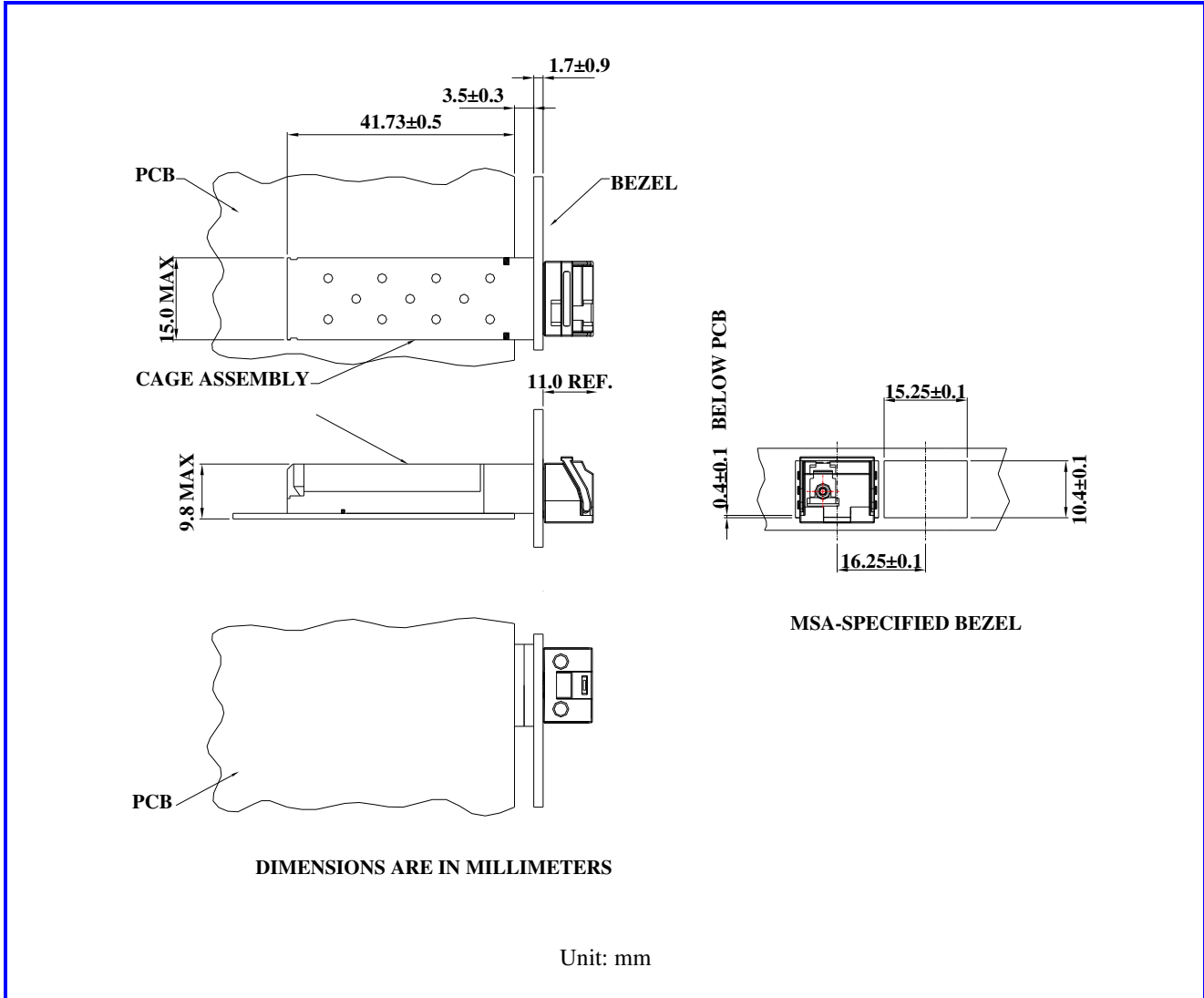
LEGEND

- 1.PADS AND VIAS ARE CHASSIS GROUND
- 2.THROUGH HOLES, PLATING OPTIONAL
- 3.HATCHED AREA DENOTES COMPONENT AND TRACE KEEPOUT(EXCEPT CHASSIS GROUND)
- 4.AREA DENOTES COMPONENT KEEPOUT (TRACES ALLOWED)

DIMENSIONS ARE IN MILLIMETERS

Unit: mm

Assembly drawing

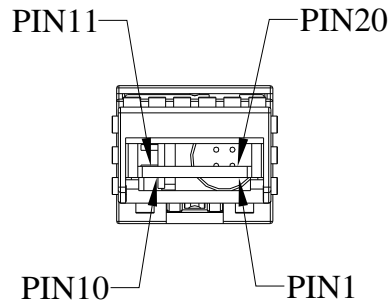




RoHS compliant
 TX-1330/RX-1270 nm Single-mode Bi-directional , 10km
 SFP LC Simplex Connector
 10.3125Gbps

Pin Assignment

Pin-Out



Pin	Signal Name	Description
1	T_{GND}	Transmit Ground
2	TX_FAULT	Transmit Fault
3	$TX_DISABLE$	Transmit Disable
4	SDA	SDA Serial Data Signal
5	SCL	SCL Serial Clock Signal
6	MOD_ABS	Internal connected to ground
7	$RS0$	Rate select 0, not used
8	RX_LOS	Receiver Loss of Signal, LVTTTL High, open collector
9	$RS1$	Rate select 1, not used
10	R_{GND}	Receiver Ground
11	R_{GND}	Receiver Ground
12	$RX-$	Receive Data Bar, ac coupled
13	$RX+$	Receive Data, ac coupled
14	R_{GND}	Receiver Ground
15	V_{CCR}	Receiver Power Supply
16	V_{CCT}	Transmitter Power Supply
17	T_{GND}	Transmitter Ground
18	$TX+$	Transmit Data, ac coupled
19	$TX-$	Transmit Data Bar, ac coupled
20	T_{GND}	Transmitter Ground