



RoHS Compliant
1310 nm Single-mode Transceiver
With Diagnostic Monitoring
10G BASE-LW/LR 10G Ethernet



Features

- Single power supply 3.3V
- Duplex LC optical connection
- Class 1 laser product complies with EN 60825-1

Ordering Information

PART NUMBER	INPUT/OUTPUT	VOLTAGE	TEMPERATURE
LS34-H3S-TI-N	AC/AC	3.3V	-40°C to 85 °C

Diagnostics

Parameter	Range	Accuracy	Unit	Calibration
Internal Transceiver Temperature	-45 to 95	± 3	°C	Internal
Internal Transceiver Voltage	3.0 to 3.6	± 0.1	V	
Bias Current	0 to 100	± 10%	mA	
TX Power	-9 to +2	± 3	dB	
RX average Power	-16 to 0	± 3	dB	



RoHS Compliant
1310 nm Single-mode Transceiver
With Diagnostic Monitoring
10G BASE-LW/LR 10G Ethernet

Absolute Maximum Ratings

PARAMETER	SYMBOL	MIN	MAX	UNITS	NOTE
Storage Temperature	T_S	-40	85	°C	
Supply Voltage	V_{CC}	-0.5	4.0	V	
Input Voltage	V_{IN}	-0.5	V_{CC}	V	
Hand Soldering Temperature (Note 1)	T_{SOLD}	---	360	°C	< 5 seconds, for 1x12 pins
Hand Soldering Temperature (Note 1)	T_{SOLD}	---	360	°C	< 15 seconds, for Housing fix pins

Note 1: Please refer to page 12 "Soldering and Handling" for the detail.

Recommended Operating Conditions

PARAMETER	SYMBOL	MIN	MAX	UNITS	NOTE
Case operating Temperature	T_C	-40	85	°C	
Supply Voltage	V_{CC}	3.14	3.46	V	
Supply Current	$I_{TX} + I_{RX}$		300	mA	
Power Consumption	P	---	1.0	W	



RoHS Compliant
1310 nm Single-mode Transceiver
With Diagnostic Monitoring
10G BASE-LW/LR 10G Ethernet

Transmitter Electro-optical Characteristics

$V_{cc} = 3.14 \text{ V to } 3.46 \text{ V}, T_C = -40^\circ \text{C to } 85^\circ \text{C}$

PARAMETER	SYMBOL	MIN	TYP.	MAX	UNITS	NOTE
Data Rate	B		10.3125		Gbps	
Output Optical Power	P_{out}	-6	---	0.5	dBm	
Optical Modulation Amplitude	OMA	-5.2			dBm	
Extinction Ratio	ER	3.5			dB	
Center Wavelength	λ_C	1290	1310	1330	nm	
Spectrum Width	$\Delta \lambda$			1	nm	
Side mode Suppression ratio	SSR_{min}	30			dB	
Transmitter and Dispersion Penalty	TDP			3.2	dB	
Relative Intensity Noise	RIN	---	---	-128	dB/Hz	
Output Eye			Compliant with IEEE802.3ae			
Max. P_{out} TX-DISABLE Asserted	P_{OFF}	---	---	-35	dBm	
Differential Input Impedance	Z_d	75	100	125	Ω	
Differential Input Voltage Swing	V_{DIFF}	200		800	mV	
TX_DISABLE Assert Time	t_{off}	---	---	100	μs	
TX_DISABLE Negate Time	t_{on}	---	---	2	ms	
Time to initialize	t_{init}	---	---	300	ms	
TX_DISABLE time to start reset	t_{reset}	10	---	---	μs	



RoHS Compliant
1310 nm Single-mode Transceiver
With Diagnostic Monitoring
10G BASE-LW/LR 10G Ethernet

Receiver Electro-optical Characteristics

$V_{CC} = 3.14 \text{ V to } 3.46 \text{ V}$, $T_C = -40^\circ \text{C to } 85^\circ \text{C}$

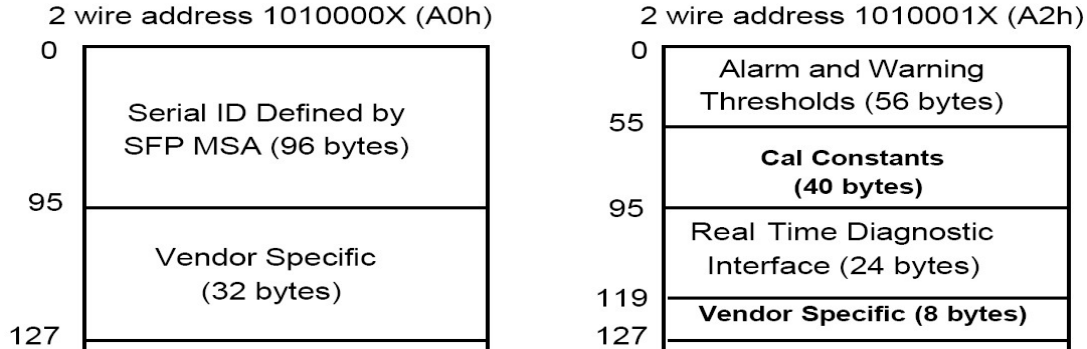
PARAMETER	SYMBOL	MIN	TYP.	MAX	UNITS	NOTE
Data Rate	B		10.3125		Gbps	
Optical Input Power-maximum	P_{IN}	0.5	---	---	dBm	BER < 10^{-12}
Receiver Sensitivity(OMA)	P_{IN}	---	---	-12.6	dBm	BER < 10^{-12}
Operating Center Wavelength	λ_C	1260	---	1355	nm	
Optical Return Loss	ORL	12	---	---	dB	
Loss of Signal-Asserted	P_A	-30	---	---	dBm	Note 1
Loss of Signal-Deasserted	P_D	---	---	-15	dBm	Note 1
Differential Output Impedance	Z_d	75	100	125	Ω	
Differential Output Voltage	V_{DIFF}	300	---	800	mV	

Note 1: The LOS state is monitored and defined at SFF-8472 byte 110 bit 1.



RoHS Compliant
1310 nm Single-mode Transceiver
With Diagnostic Monitoring
10G BASE-LW/LR 10G Ethernet

Digital Diagnostic Memory Map



EEPROM Serial ID Memory contents(A0h)

Address	Hex	Fields	Result
0	02(H)	identifier	Module soldered to motherboard
1	04(H)	Ext.Identifier	GBIC/SFP function is defined by two-wire interface ID only
2	07(H)	Connector	LC
3	20(H)	Transceiver	10G Base-LR;
4	00(H)		Unallocated
5	00(H)		
6	00(H)		
7	00(H)		
8	00(H)		
9	00(H)		
10	00(H)		
11	06(H)	Encoding	64B/66B
12	67(H)	BR(Nominal)	10300Mbps
13	00(H)	Rate Identifier	Unspecified
14	0A(H)	Length(SMF)-km	10(units of km)
15	64(H)	Length(SMF)	100(units of 100m)
16	00(H)	Length(50µm)	N/A
17	00(H)	Length(62.5µm)	N/A
18	00(H)	Length(cable)	N/A
19	00(H)	Length(OM3)	N/A
20	41(H)	Vendor name	A
21	50(H)	Vendor name	P
22	41(H)	Vendor name	A
23	43(H)	Vendor name	C
24	20(H)	Vendor name	
25	4F(H)	Vendor name	O
26	70(H)	Vendor name	p
27	74(H)	Vendor name	t



RoHS Compliant
1310 nm Single-mode Transceiver
With Diagnostic Monitoring
10G BASE-LW/LR 10G Ethernet

28	6F(H)	Vendor name	0
29	20(H)	Vendor name	
30	20(H)	Vendor name	
31	20(H)	Vendor name	
32	20(H)	Vendor name	
33	20(H)	Vendor name	
34	20(H)	Vendor name	
35	20(H)	Vendor name	
36	00(H)	Transceiver	Unallocated
37	00(H)	Vendor OUI	0
38	0F(H)	Vendor OUI	0F
39	99(H)	Vendor OUI	99
40	4C(H)	Vendor PN	L
41	53(H)	Vendor PN	S
42	33(H)	Vendor PN	3
43	34(H)	Vendor PN	4
44	2D(H)	Vendor PN	-
45	48(H)	Vendor PN	H
46	33(H)	Vendor PN	3
47	53(H)	Vendor PN	S
48	2D(H)	Vendor PN	-
49	54(H)	Vendor PN	T
50	49(H)	Vendor PN	I
51	2D(H)	Vendor PN	-
52	4E(H)	Vendor PN	N
53	20(H)	Vendor PN	
54	20(H)	Vendor PN	
55	20(H)	Vendor PN	
56	30(H)	Vendor rev	0
57	30(H)	Vendor rev	0
58	30(H)	Vendor rev	0
59	30(H)	Vendor rev	0
60	05(H)	Wavelength	1310nm
61	1E(H)	Wavelength	
62	00(H)	Unallocated	Unallocated
63		CC_BASE	
64	00(H)	Options	Unallocated
65	10(H)	Options	Tx_Disable;
66	00(H)	BR	max
67	00(H)	BR	min
68		Vendor SN	
69			
70			
71			



RoHS Compliant
1310 nm Single-mode Transceiver
With Diagnostic Monitoring
10G BASE-LW/LR 10G Ethernet

72			
73			
74			
75			
76			
77			
78			
79			
80			
81			
82			
83			
84		Date code	
85			
86			
87			
88			
89			
90			
91			
92	68(H)	Diagnostic Monitoring Type	Received Power Measurement Type;Internally Calibrated;Digital diagnostic monitoring implemented;
93	F0(H)	Enhanced Options	Alarm/warning Flags; TX_DISABLE control and monitoring; TX_FAULT monitoring; RX_LOS monitoring
94	03(H)	SFF-8472 Compliance	includes functionality described in Rev 10.2 of SFF-8472
95		CC_EXT	
96	45(H)	Vendor Specific	E
97	58(H)	Vendor Specific	X
98	54(H)	Vendor Specific	T
99	52(H)	Vendor Specific	R
100	45(H)	Vendor Specific	E
101	4D(H)	Vendor Specific	M
102	45(H)	Vendor Specific	E
103	4C(H)	Vendor Specific	L
104	59(H)	Vendor Specific	Y
105	20(H)	Vendor Specific	
106	43(H)	Vendor Specific	C
107	4F(H)	Vendor Specific	O
108	4D(H)	Vendor Specific	M
109	50(H)	Vendor Specific	P



RoHS Compliant
1310 nm Single-mode Transceiver
With Diagnostic Monitoring
10G BASE-LW/LR 10G Ethernet

110	41(H)	Vendor Specific	A
111	54(H)	Vendor Specific	T
112	49(H)	Vendor Specific	I
113	42(H)	Vendor Specific	B
114	4C(H)	Vendor Specific	L
115	45(H)	Vendor Specific	E
116	20(H)	Vendor Specific	
117	20(H)	Vendor Specific	
118	20(H)	Vendor Specific	
119	20(H)	Vendor Specific	
120	20(H)	Vendor Specific	
121	20(H)	Vendor Specific	
122	20(H)	Vendor Specific	
123	20(H)	Vendor Specific	
124	20(H)	Vendor Specific	
125	20(H)	Vendor Specific	
126	20(H)	Vendor Specific	
127	20(H)	Vendor Specific	

EEPROM Serial ID Memory contents (A2h)

For $T_C = -40^{\circ}\text{C}$ to 85°C

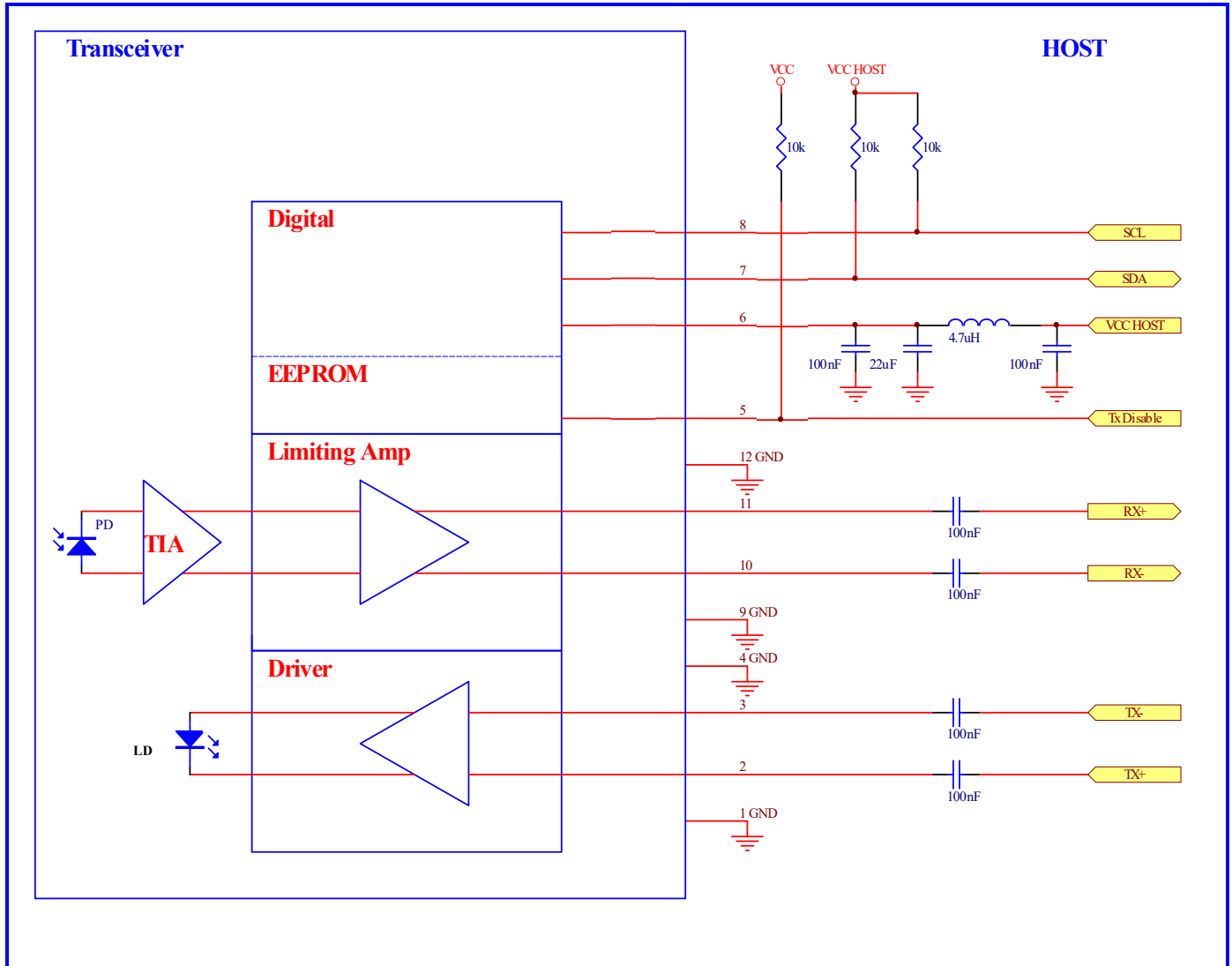
Address(A2h)	Description	Value
00-01	Temp High Alarm	90 Degree C
02-03	Temp Low Alarm	-45 Degree C
04-05	Temp High Warning	85 Degree C
06-07	Temp Low Warning	-40 Degree C
08-09	Voltage High Alarm	3.6 V
10-11	Voltage Low Alarm	3.0 V
12-13	Voltage High Warning	3.5 V
14-15	Voltage Low Warning	3.1 V
16-17	Bias High Alarm	80 mA
18-19	Bias Low Alarm	0.1 mA
20-21	Bias High Warning	70 mA
22-23	Bias Low Warning	0.5 mA
24-25	TX Power High Alarm	+1.5 dBm
26-27	TX Power Low Alarm	-7 dBm
28-29	TX Power High Warning	+0.5 dBm
30-31	TX Power Low Warning	-6 dBm
32-33	RX Power High Alarm	+1.5 dBm
34-35	RX Power Low Alarm	-15 dBm
36-37	RX Power High Warning	0.5 dBm
38-39	RX Power Low Warning	-13 dBm
40-55	Reserved Reserved for future monitored quantities	



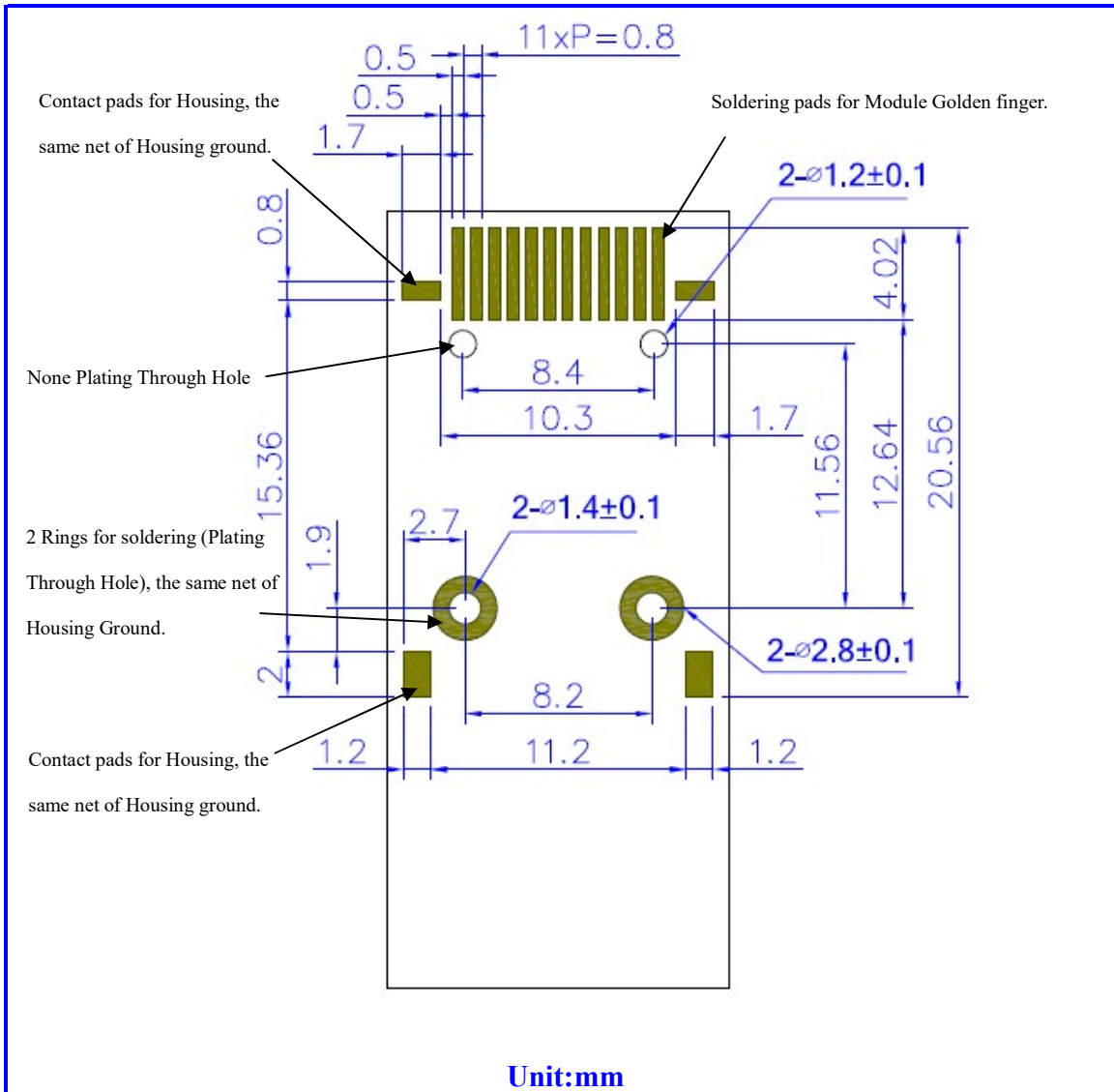
RoHS Compliant
1310 nm Single-mode Transceiver
With Diagnostic Monitoring
10G BASE-LW/LR 10G Ethernet

56-91	External calibration constant	
92-94	Reserved	
95	Check sum	
96-97	Real Time temperature	
98-99	Real Time supply voltage	
100-101	Real Time TX bias current	
102-103	Real Time TX optical power	
104-105	Real Time RX received power	
106-109	Reserved	
110(bit7)	NA	
110(bit6)	NA	
110(bit5)	Reserved	
110(bit4)	NA	
110(bit3)	NA	
110(bit2)	Digital state of TX fault output pin	
110(bit1)	Digital state of LOS output pin	
110(bit0)	NA	
111	Reserved	
112(bit7)	Set when internal temperature exceeds high alarm level	
112(bit6)	Set when internal temperature exceeds is below alarm level	
112(bit5)	Set when internal supply voltage exceeds high alarm level	
112(bit4)	Set when internal supply voltage is below alarm level	
112(bit3)	Set when TX bias exceeds high alarm level	
112(bit2)	Set when TX bias voltage is below alarm level	
112(bit1)	Set when TX output power exceeds high alarm level	
112(bit0)	Set when TX output power voltage is below alarm level	
113(bit7)	Set when RX received power exceeds high alarm level	
113(bit6)	Set when RX received power is below alarm level	
113(bit5-0)	Reserved	
114-115	Reserved	
116(bit7)	Set when internal temperature exceeds high warning level	
116(bit6)	Set when internal temperature exceeds is below warning level	
116(bit5)	Set when internal supply voltage exceeds high warning level	
116(bit4)	Set when internal supply voltage is below warning level	
116(bit3)	Set when TX bias exceeds high warning level	
116(bit2)	Set when TX bias voltage is below warning level	
116(bit1)	Set when TX output power exceeds high warning level	
116(bit0)	Set when TX output power voltage is below warning level	
117(bit7)	Set when RX received power exceeds high warning level	
117(bit6)	Set when RX received power is below warning level	
117(bit5-0)	Reserved	
118-119	Reserved	
120-127	Reserved	

Recommended Interface Circuit



Recommended host board mechanical layout





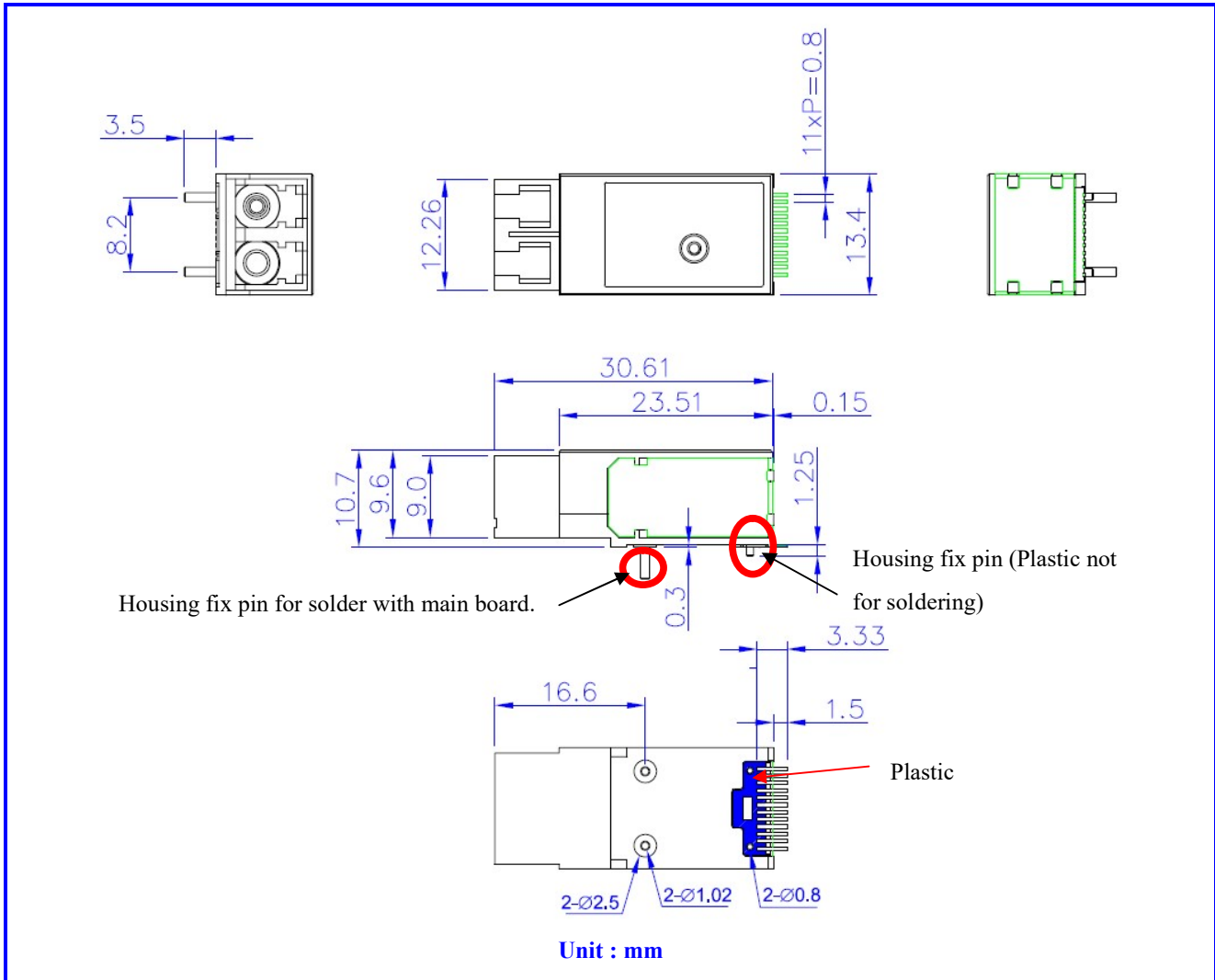
RoHS Compliant
1310 nm Single-mode Transceiver
With Diagnostic Monitoring
10G BASE-LW/LR 10G Ethernet

Soldering and Handling

The transceivers are delivered with protective process plugs inserted into the duplex LC connector receptacle. This process plug protects the optical subassemblies during hand soldering and acts as a dust cover during shipping.

Soldering Method	Temperature(°C)	Time(sec)	Note
Hand Soldering	350 ±10	< 5	For each Golden pin should below 5 secs
Hand Soldering	350 ±10	< 15	For each Fix pin should below 15 secs

Dimensions

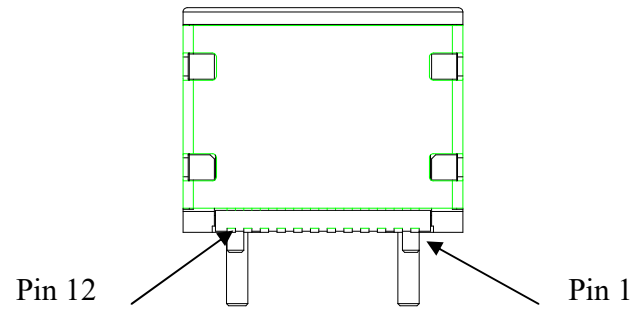




RoHS Compliant
1310 nm Single-mode Transceiver
With Diagnostic Monitoring
10G BASE-LW/LR 10G Ethernet

Pin Assignment

Pin-Out



Pin	Signal Name	Description
1	<i>GND</i>	Ground
2	<i>TX+</i>	Transmit Data in, ac coupled
3	<i>TX-</i>	Transmit Data in Bar, ac coupled
4	<i>GND</i>	Ground
5	<i>TX_DISABLE</i>	Transmit Disable
6	<i>V_{CC}</i>	3.3V Power Supply
7	<i>MOD_DEF (2)</i>	SDA Serial Data Signal
8	<i>MOD_DEF (1)</i>	SCL Serial Clock Signal
9	<i>GND</i>	Ground
10	<i>RX-</i>	Receive Data out Bar, ac coupled
11	<i>RX+</i>	Receive Data out, ac coupled
12	<i>GND</i>	Ground