



**RoHS Compliant  
CWDM 1550 nm Single-mode Transceiver, 30dB margin  
Small Form Pluggable (SFP), with Diagnostic Monitoring  
1.0625Gbd Fiber Channel/1.25 Gigabit Ethernet**



**Features**

- Compliant with IEEE802.3z Gigabit Ethernet Standard
- Compliant with Fiber Channel 100-SM-LC-L standard
- Compliant with SFF8472 diagnostic monitoring interface
- Industry standard small form pluggable (SFP) package
- Duplex LC connector
- Differential PECL inputs and outputs
- Single power supply 3.3V
- TTL signal detect indicator
- Hot Pluggable
- Class 1 laser product complies with EN 60825-1

**Ordering Information**

PART NUMBER	WAVELENGTH	INPUT/OUTPUT	SIGNAL DETECT	VOLTAGE	TEMPERATURE
LS48-C3U-TC-N47-DZ	1470 nm	AC/AC	TTL	3.3V	0°C to 70°C
LS48-C3U-TC-N49-DZ	1490 nm	AC/AC	TTL	3.3V	0°C to 70°C
LS48-C3U-TC-N51-DZ	1510 nm	AC/AC	TTL	3.3V	0°C to 70°C
LS48-C3U-TC-N53-DZ	1530 nm	AC/AC	TTL	3.3V	0°C to 70°C
LS48-C3U-TC-N55-DZ	1550 nm	AC/AC	TTL	3.3V	0°C to 70°C
LS48-C3U-TC-N57-DZ	1570 nm	AC/AC	TTL	3.3V	0°C to 70°C
LS48-C3U-TC-N59-DZ	1590 nm	AC/AC	TTL	3.3V	0°C to 70°C
LS48-C3U-TC-N61-DZ	1610 nm	AC/AC	TTL	3.3V	0°C to 70°C



**RoHS Compliant**  
**CWDM 1550 nm Single-mode Transceiver, 30dB margin**  
**Small Form Pluggable (SFP), with Diagnostic Monitoring**  
**1.0625Gbd Fiber Channel/1.25 Gigabit Ethernet**

**Diagnostics**

Parameter	Range	Accuracy	Unit	Calibration
Temperature	-40 to 95	$\pm 3$	$^{\circ}\text{C}$	External
Voltage	0 to VCC	$\pm 0.1$	V	
Bias Current	0 to 120	$\pm 5$	mA	
TX Power	-3 to +6	$\pm 3$ dB	dBm	
RX Power	-30 to -10	$\pm 3$ dB	dBm	

**Absolute Maximum Ratings**

PARAMETER	SYMBOL	MIN	MAX	UNITS	NOTE
Storage Temperature	$T_S$	-40	85	$^{\circ}\text{C}$	
Supply Voltage	$V_{CC}$	-0.5	4.0	V	
Input Voltage	$V_{IN}$	-0.5	$V_{CC}$	V	
Output Current	$I_o$	---	50	mA	
Operating Current	$I_{OP}$	---	400	mA	

**Recommended Operating Conditions**

PARAMETER	SYMBOL	MIN	MAX	UNITS	NOTE
Case Operating Temperature	$T_C$	0	70	$^{\circ}\text{C}$	
Supply Voltage	$V_{CC}$	3.1	3.5	V	
Supply Current	$I_{TX} + I_{RX}$	---	320	mA	



**RoHS Compliant**  
**CWDM 1550 nm Single-mode Transceiver, 30dB margin**  
**Small Form Pluggable (SFP), with Diagnostic Monitoring**  
**1.0625Gbd Fiber Channel/1.25 Gigabit Ethernet**

**Transmitter Electro-optical Characteristics**

$V_{CC} = 3.1 \text{ V to } 3.5 \text{ V}, T_C = 0^\circ \text{C to } 70^\circ \text{C}$

PARAMETER	SYMBOL	MIN	TYP.	MAX	UNITS	NOTE
Output Optical Power 9/125 $\mu\text{m}$ fiber	$P_{out}$	0	+2	+5	dBm	Average
Extinction Ratio	$ER$	7	---	---	dB	
Central Wavelength (-N47)	$\lambda_c$	1464.5	---	1477.5	nm	
Central Wavelength (-N49)		1484.5	---	1497.5		
Central Wavelength (-N51)		1504.5	---	1517.5		
Central Wavelength (-N53)		1524.5	---	1537.5		
Central Wavelength (-N55)		1544.5	---	1557.5		
Central Wavelength (-N57)		1564.5	---	1577.5		
Central Wavelength (-N59)		1584.5	---	1597.5		
Central Wavelength (-N61)		1604.5	---	1617.5		
Spectral Width (-20dB)	$\Delta\lambda$	---	---	0.6	nm	
Side Mode Suppression Ratio	$SMSR$	30	---	---	dB	
Rise/Fall Time, (20–80%)	$T_{r,f}$	---	---	260	ps	
Relative Intensity Noise	$RIN$	---	---	-120	dB/Hz	
Total Jitter	$TJ$	---	---	227	ps	
Output Eye	Compliant with IEEE802.3z					
Max. $P_{out}$ TX-DISABLE Asserted	$P_{OFF}$	---	---	-45	dBm	
Differential Input Voltage	$V_{DIFF}$	0.4	---	2.0	V	



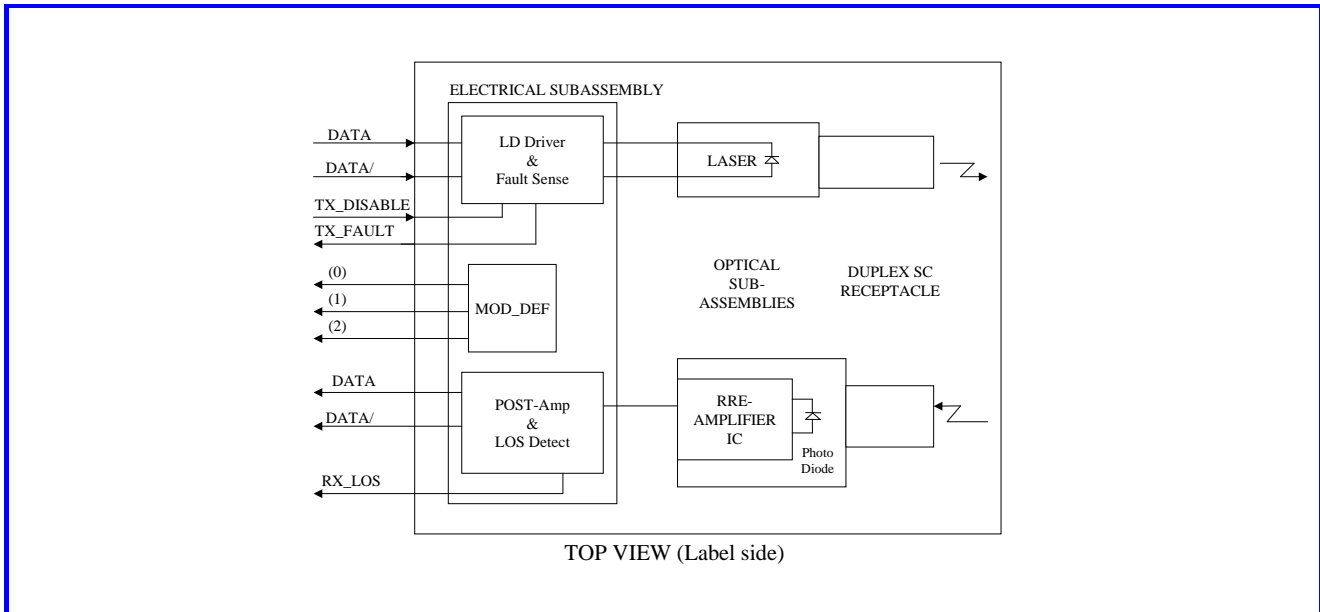
**RoHS Compliant**  
**CWDM 1550 nm Single-mode Transceiver, 30dB margin**  
**Small Form Pluggable (SFP), with Diagnostic Monitoring**  
**1.0625Gbd Fiber Channel/1.25 Gigabit Ethernet**

**Receiver Electro-optical Characteristics**

$V_{CC} = 3.1\text{ V to }3.5\text{ V}, T_C = 0^\circ\text{C to }70^\circ\text{C}$

PARAMETER	SYMBOL	MIN	TYP.	MAX	UNITS	NOTE
Optical Input Power-maximum	$P_{IN}$	-9	---	---	dBm	BER < $10^{-12}$
Optical Input Power-minimum (Sensitivity)	$P_{IN}$	---	-34	-30	dBm	BER < $10^{-12}$
Operating Center Wavelength	$\lambda_C$	1260	---	1620	nm	
Optical Return Loss	$ORL$	12	---	---	dB	
Signal Detect-Asserted	$P_A$	---	---	-30	dBm	
Signal Detect-Deasserted	$P_D$	-45	---	---	dBm	
Differential Output Voltage	$V_{DIFF}$	0.5	---	1.2	V	
Data Output Rise, Fall Time (20–80%)	$T_{r,f}$	---	---	0.35	ns	
Receiver Loss of Signal Output Voltage-Low	$RX\_LOS_L$	0	---	0.5	V	
Receiver Loss of Signal Output Voltage-High	$RX\_LOS_H$	2.4	---	$V_{CC}$	V	

### Block Diagram of Transceiver



#### Transmitter Section

The transmitter section consists of a 1550 nm InGaAsP laser in an eye safe optical subassembly (OSA) which mates to the fiber cable. The laser OSA is driven by a LD driver IC which converts differential input LVPECL logic signals into an analog laser driving current.

#### TX\_DISABLE

The TX\_DISABLE signal is high (TTL logic “1”) to turn off the laser output. The laser will turn on when TX\_DISABLE is low (TTL logic “0”).

#### Receiver Section

The receiver utilizes an APD photodiode mounted together with a trans-impedance preamplifier IC in an OSA. This OSA is connected to a circuit providing post-amplification quantization, and optical signal detection.

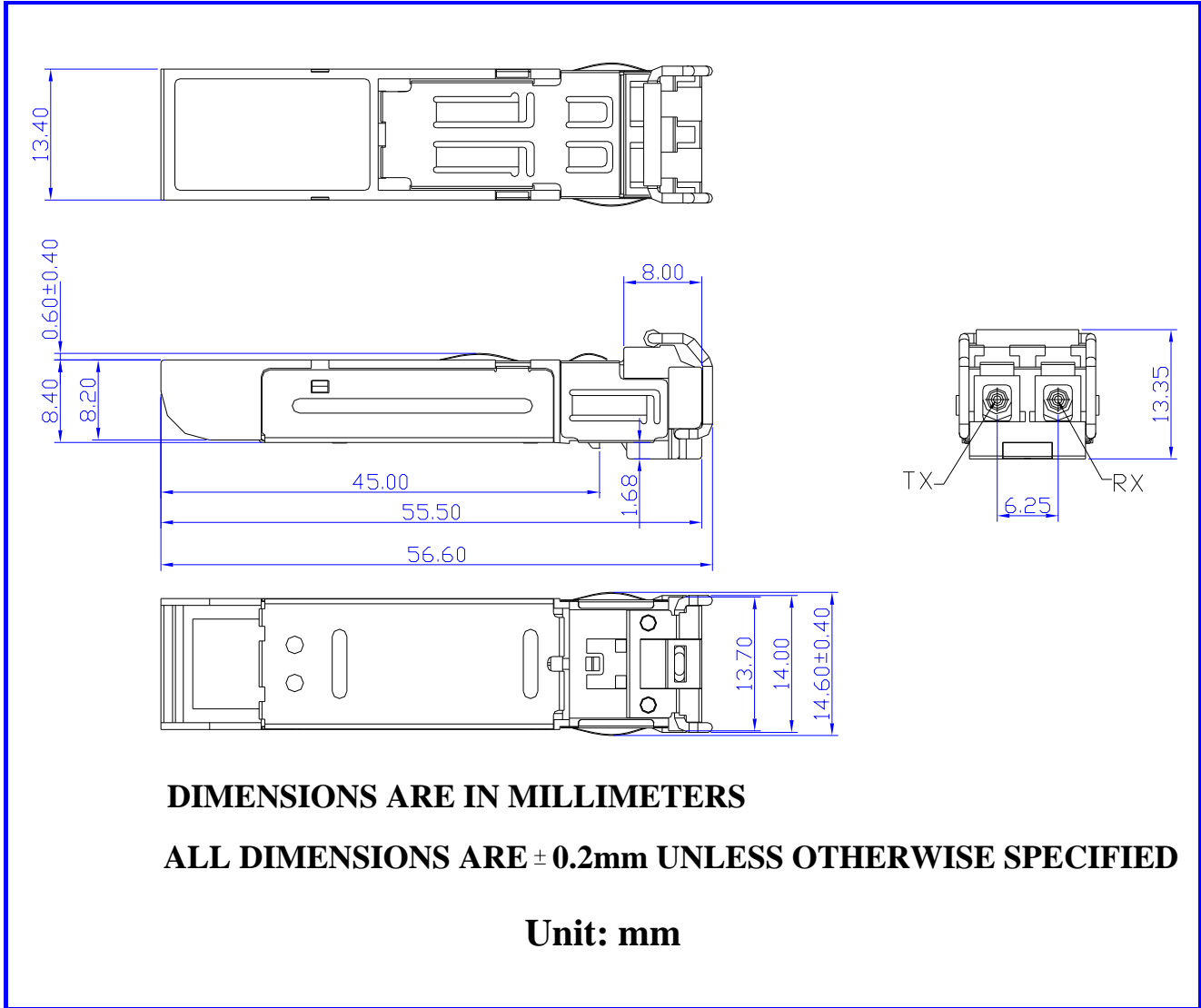
#### Receive Loss (RX\_LOS)

The RX\_LOS is high (logic “1”) when there is no incoming light from the companion transceiver. This signal is normally used by the system for the diagnostic purpose. The signal is operated in LVTTTL level.



**RoHS Compliant**  
**CWDM 1550 nm Single-mode Transceiver, 30dB margin**  
**Small Form Pluggable (SFP), with Diagnostic Monitoring**  
**1.0625Gbd Fiber Channel/1.25 Gigabit Ethernet**

**Dimensions**

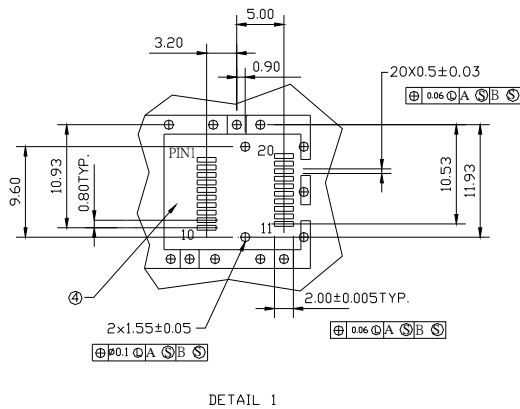
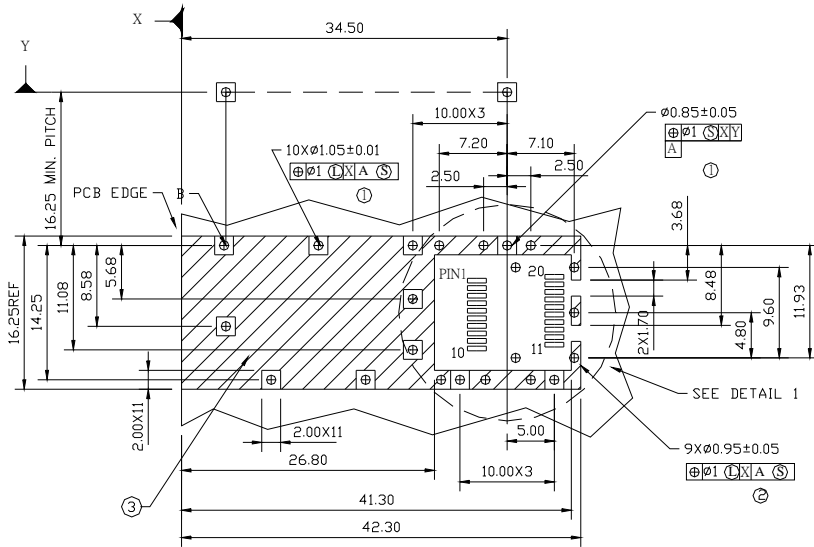


**DIMENSIONS ARE IN MILLIMETERS**

**ALL DIMENSIONS ARE ± 0.2mm UNLESS OTHERWISE SPECIFIED**

**Unit: mm**

**SFP host board mechanical layout**



**LEGEND**

- 1.PADS AND VIAS ARE CHASSIS GROUND
- 2.THROUGH HOLES, PLATING OPTIONAL
- 3.HATCHED AREA DENOTES COMPONENT AND TRACE KEEPOUT(EXCEPT CHASSIS GROUND)
- 4.AREA DENOTES COMPONENT KEEPOUT (TRACES ALLOWED)

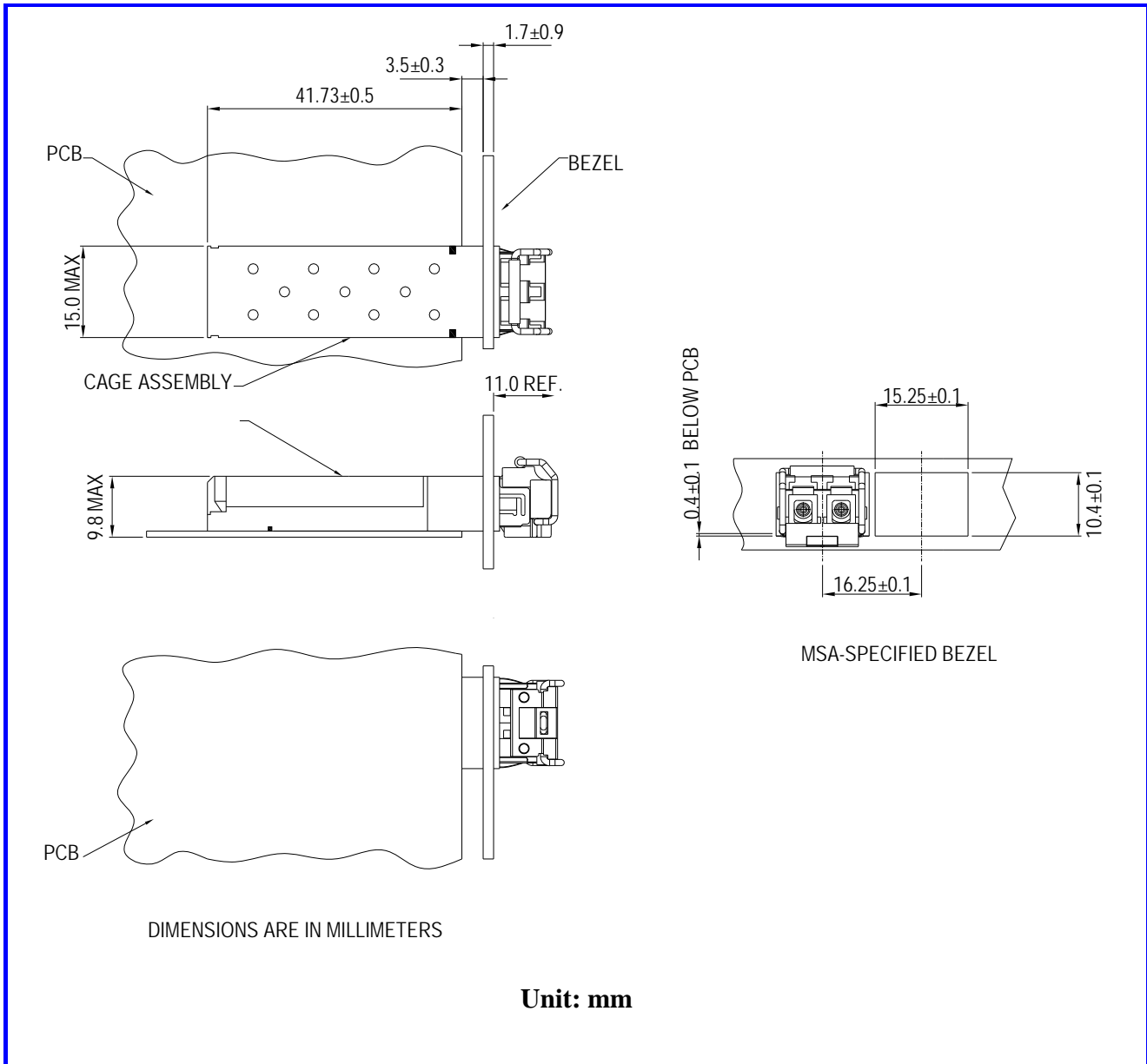
DIMENSIONS ARE IN MILLIMETERS

Unit: mm



**RoHS Compliant**  
**CWDM 1550 nm Single-mode Transceiver, 30dB margin**  
**Small Form Pluggable (SFP), with Diagnostic Monitoring**  
**1.0625Gbd Fiber Channel/1.25 Gigabit Ethernet**

**Assembly drawing**



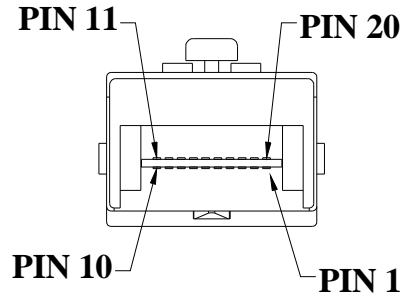




**RoHS Compliant**  
**CWDM 1550 nm Single-mode Transceiver, 30dB margin**  
**Small Form Pluggable (SFP), with Diagnostic Monitoring**  
**1.0625Gbd Fiber Channel/1.25 Gigabit Ethernet**

**Pin Assignment**

Pin-Out



Pin	Signal Name	Description
1	$T_{GND}$	Transmit Ground
2	$TX\_FAULT$	Transmit Fault
3	$TX\_DISABLE$	Transmit Disable
4	$MOD\_DEF (2)$	SDA Serial Data Signal
5	$MOD\_DEF (1)$	SCL Serial Clock Signal
6	$MOD\_DEF (0)$	TTL Low
7	$RATE\_SELECT$	Open Circuit
8	$RX\_LOS$	Receiver Loss of Signal, TTL High, open collector
9	$R_{GND}$	Receiver Ground
10	$R_{GND}$	Receiver Ground
11	$R_{GND}$	Receiver Ground
12	$RX-$	Receive Data Bar, Differential PECL, ac coupled
13	$RX+$	Receive Data, Differential PECL, ac coupled
14	$R_{GND}$	Receiver Ground
15	$V_{CCR}$	Receiver Power Supply
16	$V_{CCT}$	Transmitter Power Supply
17	$T_{GND}$	Transmitter Ground
18	$TX+$	Transmit Data, Differential PCEL, ac coupled
19	$TX-$	Transmit Data Bar, Differential PCEL, ac coupled
20	$T_{GND}$	Transmitter Ground



**RoHS Compliant  
CWDM 1550 nm Single-mode Transceiver, 30dB margin  
Small Form Pluggable (SFP), with Diagnostic Monitoring  
1.0625Gbd Fiber Channel/1.25 Gigabit Ethernet**

---

**Eye Safety Mark**

The LS4 series singlemode transceiver is a class 1 laser product. It complies with EN 60825-1 and FDA 21 CFR 1040.10 and 1040.11. In order to meet laser safety requirements the transceiver shall be operated within the Absolute Maximum Ratings.

**Caution**

**All adjustments have been done at the factory before the shipment of the devices. No maintenance and user serviceable part is required. Tampering with and modifying the performance of the device will result in voided product warranty.**

**Required Mark**

Class 1 Laser Product  
Complies with  
21 CFR 1040.10 and 1040.11

Note : All information contained in this document is subject to change without notice.