



RoHS compliant
TX-1570/RX-1510 nm Single-mode, Single-Fiber (Bi-directional)
Transceiver 1×9, SC Simplex Connector, 3.3/5.0 V (80km)
1.0625Gbd Fiber Channel/1.25 Gigabit Ethernet



Features

- Compliant with IEEE 802.3z Gigabit Ethernet standard
- Industry standard 1×9 footprint
- SC connector
- Single power supply 3.3/5.0 V
- Differential PECL inputs and outputs
- Compatible with solder and aqueous wash processes
- Class 1 laser product complies with EN 60825-1

Ordering Information

PART NUMBER	TX	RX	IN/OUT	SD	VOLTAGE	TEMPERATURE	LD TYPE
LSB2-CAU-PC-N5-57	1570 nm	1510 nm	DC/DC	PECL	3.3/5.0 V	0 °C to 70 °C	DFB
LSB2-CAU-TC-N5-57	1570 nm	1510 nm	AC/AC	TTL	3.3/5.0 V	0 °C to 70 °C	DFB

Absolute Maximum Ratings

PARAMETER	SYMBOL	MIN	MAX	UNITS	NOTE
Storage Temperature	T_S	-40	85	°C	
Supply Voltage	V_{CC}	-0.5	6.0	V	
Input Voltage	V_{IN}	-0.5	V_{CC}	V	
Output Current	I_o	---	50	mA	
Operating Current	I_{OP}	---	400	mA	
Soldering Temperature	T_{SOLD}	---	260	°C	10 seconds on leads



RoHS compliant
TX-1570/RX-1510 nm Single-mode, Single-Fiber (Bi-directional)
Transceiver 1×9, SC Simplex Connector, 3.3/5.0 V (80km)
1.0625Gbd Fiber Channel/1.25 Gigabit Ethernet

Operating Environment

PARAMETER	SYMBOL	MIN	MAX	UNITS	NOTE
Case Operating Temperature	T_C	0	70	°C	
Supply Voltage	V_{CC}	3.1	5.25	V	
Supply Current (5.0V)	$I_{TX} + I_{RX}$	---	400	mA	
Supply Current (3.3V)	$I_{TX} + I_{RX}$	---	300	mA	

Transmitter Electro-optical Characteristics

$V_{CC} = 3.1\text{ V to }5.25\text{ V}, T_C = 0\text{ °C to }70\text{ °C}$

PARAMETER	SYMBOL	MIN	TYP.	MAX	UNITS	NOTE
Data Rate	B	---	1250	1300	Mb/s	
Output Optical Power 9/125 μm fiber	P_{out}	-2	---	+3	dBm	Average
Extinction Ratio	ER	9	---	---	dB	
Center Wavelength	λ_C	1560	1570	1580	nm	
Spectral Width (-20dB)	$\Delta\lambda$	---	---	1	nm	
Side Mode Suppression Ratio	SMSR	30	---	---	dB	
Rise/Fall Time (20–80%)	$T_{r,f}$	---	---	260	ps	
Output Eye						Compliant with IEEE802.3z
Transmitter Data Input Voltage-High	$V_{IH} - V_{CC}$	-1.1	---	-0.74	V	Note 1
Transmitter Data Input Voltage-Low	$V_{IL} - V_{CC}$	-2.0	---	-1.58	V	Note 1
Transmitter Data Input Differential Voltage	V_{DIFF}	0.3	---	2.0	V	Note 1

Note 1: These inputs are compatible with 10K, 10KH and 100K ECL and PECL input.



RoHS compliant
TX-1570/RX-1510 nm Single-mode, Single-Fiber (Bi-directional)
Transceiver 1×9, SC Simplex Connector, 3.3/5.0 V (80km)
1.0625Gbd Fiber Channel/1.25 Gigabit Ethernet

Receiver Electro-optical Characteristics

$V_{CC} = 3.1\text{ V to } 5.25\text{ V}$, $T_C = 0^\circ\text{C to } 70^\circ\text{C}$

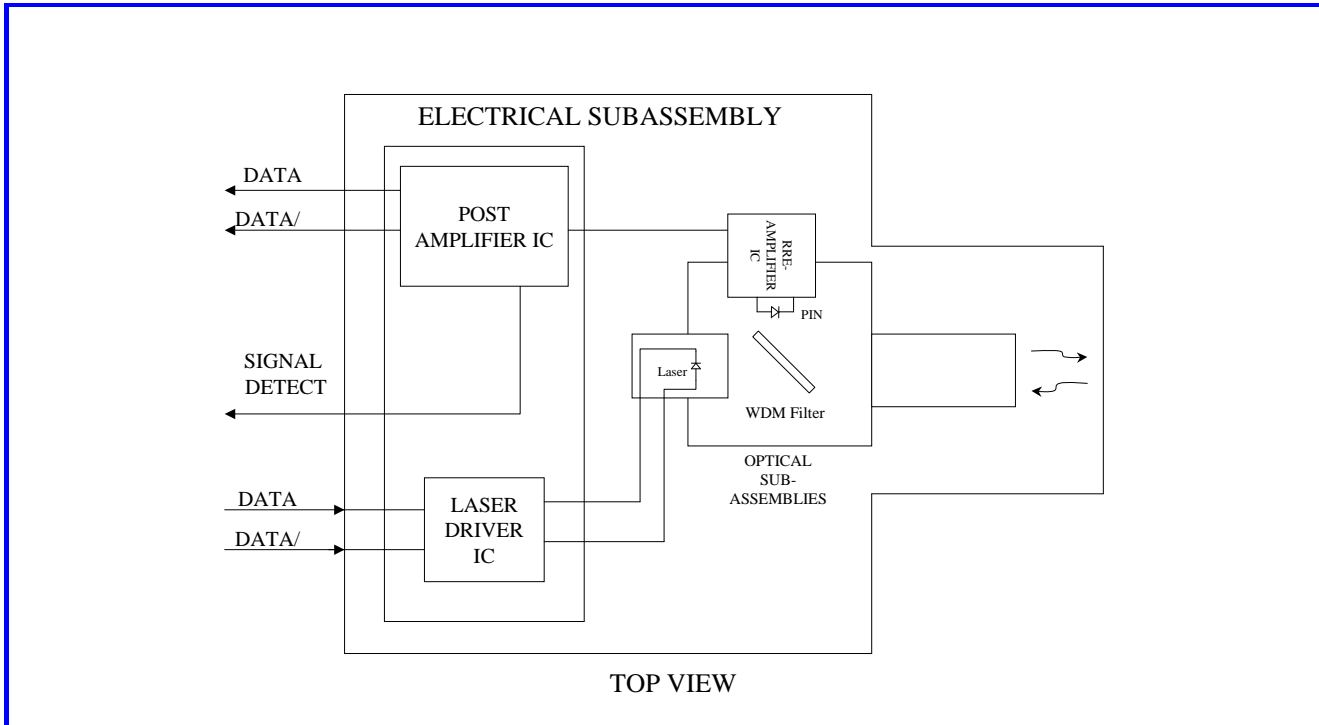
PARAMETER	SYMBOL	MIN	TYP.	MAX	UNITS	NOTE
Data Rate	B	---	1250	1300	Mb/s	
Optical Input Power-maximum	P_{IN}	-1	---	---	dBm	BER < 10^{-12}
Optical Input Power-minimum (Sensitivity)	P_{IN}	---	---	-26	dBm	BER < 10^{-12}
Operating Center Wavelength	λ_C	1500	---	1520	nm	
Optical Return Loss	ORL	14	---	---	dB	$\lambda=1500\sim 1520\text{nm}$
Signal Detect-Deasserted	P_D	-35	---	---	dBm	Average
Signal Detect-Hysteresis	$P_A - P_D$	1.0	---	---	dB	
Signal Detect Output voltage-High	$V_{OH} - V_{CC}$	-1.1	---	-0.74	V	Note 1
Signal Detect Output voltage-Low	$V_{OL} - V_{CC}$	-2.0	---	-1.58	V	Note 1
Signal Detect Voltage (TTL)-High	V_{OH}	$V_{CC}-0.8$	---	V_{CC}	V	
Signal Detect Voltage (TTL)-Low	V_{OL}	0	---	0.5	V	
Data Output Rise, Fall Time (20–80%)	$T_{r,f}$	---	---	0.35	ns	
Data Output Voltage-High	$V_{OH} - V_{CC}$	-1.1	---	-0.74	V	Note 1
Data Output Voltage-Low	$V_{OL} - V_{CC}$	-2.0	---	-1.58	V	Note 1
Data Output Differential Voltage	V_{DIFF}	1.0	---	1.8	V	

Note 1: These outputs are compatible with 10K, 10KH and 100K ECL and PECL input.



RoHS compliant
TX-1570/RX-1510 nm Single-mode, Single-Fiber (Bi-directional)
Transceiver 1×9, SC Simplex Connector, 3.3/5.0 V (80km)
1.0625Gbd Fiber Channel/1.25 Gigabit Ethernet

Block Diagram of Transceiver



Transmitter and Receiver Optical Sub-assembly Section

A 1570 nm InGaAsP laser and an InGaAs PIN photodiode integrate with an WDM filter to form a bi-directional single fiber optical subassembly (OSA). The laser of OSA is driven by a LD driver IC which converts differential input LVPECL logic signals into an analog laser driving current. And, The photodiode of OSA is connected to a circuit providing post-amplification quantization, and optical signal detection.

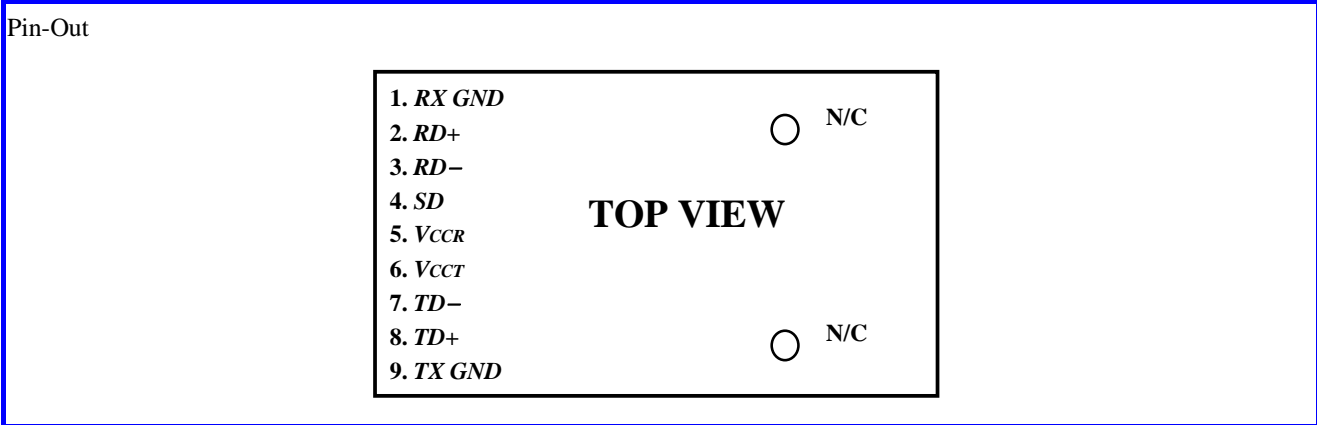
Receiver Signal Detect

Signal Detect is a basic fiber failure indicator. This is a single-ended LVPECL output. As the input optical power is decreased, Signal Detect will switch from high to low (deassert point) somewhere between sensitivity and the no light input level. As the input optical power is increased from very low levels, Signal Detect will switch back from low to high (assert point). The assert level will be at least 1.0 dB higher than the deassert level.



RoHS compliant
TX-1570/RX-1510 nm Single-mode, Single-Fiber (Bi-directional)
Transceiver 1×9, SC Simplex Connector, 3.3/5.0 V (80km)
1.0625Gbd Fiber Channel/1.25 Gigabit Ethernet

Connection Diagram

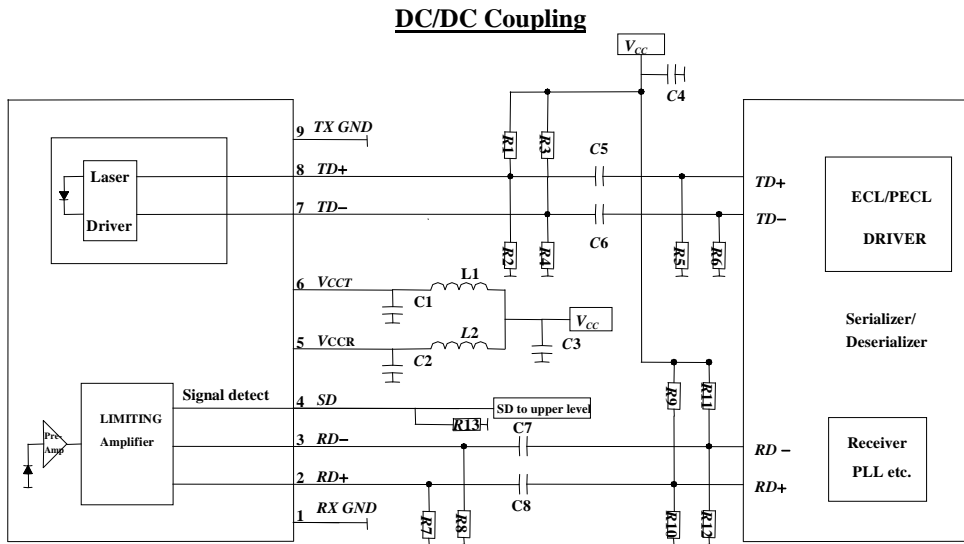


PIN	SYMBOL	DESCRIPTION
1	<i>RX GND</i>	Receiver Signal Ground, Directly connect this pin to the receiver ground plane
2	<i>RD+</i>	<i>RD+</i> is an open-emitter output circuit. Terminate this high-speed differential LVPECL output with standard LVPECL techniques at the follow-on device input pin. (See recommended circuit schematic)
3	<i>RD-</i>	<i>RD-</i> is an open-emitter output circuit. Terminate this high-speed differential LVPECL output with standard LVPECL techniques at the follow-on device input pin. (See recommended circuit schematic)
4	<i>SD</i>	Signal Detect. Normal optical input levels to the receiver result in a logic “1” output, V_{OH} , asserted. Low input optical levels to the receiver result in a fault condition indicated by a logic “0” output V_{OL} , deasserted Signal Detect is a single-ended LVPECL output. <i>SD</i> can be terminated with LVPECL techniques via $50\ \Omega$ to $V_{CCR} - 2\text{ V}$. Alternatively, <i>SD</i> can be loaded with a $180\ \Omega$ resistor to <i>RX GND</i> to conserve electrical power with small compromise to signal quality. If Signal Detect output is not used, leave it open-circuited.
5	<i>VCCR</i>	Receiver Power Supply Provide +3.3/5.0 Vdc via the recommended receiver power supply filter circuit. Locate the power supply filter circuit as close as possible to the <i>VCCR</i> pin.
6	<i>V CCT</i>	Transmitter Power Supply Provide +3.3/5.0 Vdc via the recommended transmitter power supply filter circuit. Locate the power supply filter circuit as close as possible to the <i>V CCT</i> pin.
7	<i>TD-</i>	Transmitter Data In-Bar Terminate this high-speed differential LVPECL input with standard LVPECL techniques at the transmitter input pin. (See recommended circuit schematic)
8	<i>TD+</i>	Transmitter Data In Terminate this high-speed differential LVPECL input with standard LVPECL techniques at the transmitter input pin. (See recommended circuit schematic)
9	<i>TX GND</i>	Transmitter Signal Ground Directly connect this pin to the transmitter signal ground plane. Directly connect this pin to the transmitter ground plane.



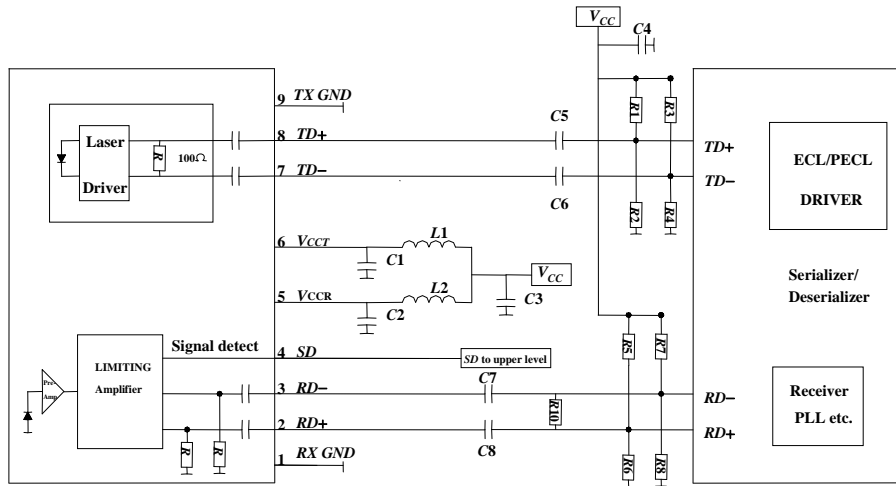
RoHS compliant
 TX-1570/RX-1510 nm Single-mode, Single-Fiber (Bi-directional)
 Transceiver 1x9, SC Simplex Connector, 3.3/5.0 V (80km)
 1.0625Gbd Fiber Channel/1.25 Gigabit Ethernet

Recommended Circuit Schematic



$C1/C2/C4/C5/C6/C7/C8 = 100 \text{ nF}$ $C3 = 4.7 \mu\text{F}$ $L1/L2 = 1 \mu\text{H}$
 $R1/R3 = 82 \Omega$ $R2/R4 = 130 \Omega$ $R7/R8 = 180 \Omega$
 $R13 = 180 \Omega$ (PECL) Open(TTL) $R5/R6/R9/R10/R11/R12$ Depend on SerDes

AC/AC Coupling



$C1/C2/C4/C5/C6/C7/C8 = 100 \text{ nF}$ $C3 = 4.7 \mu\text{F}$ $L1/L2 = 1 \mu\text{H}$
 $R1/R2/R3/R4/R5/R6/R7/R8$ Depend on SerDes



RoHS compliant
TX-1570/RX-1510 nm Single-mode, Single-Fiber (Bi-directional)
Transceiver 1×9, SC Simplex Connector, 3.3/5.0 V (80km)
1.0625Gbd Fiber Channel/1.25 Gigabit Ethernet

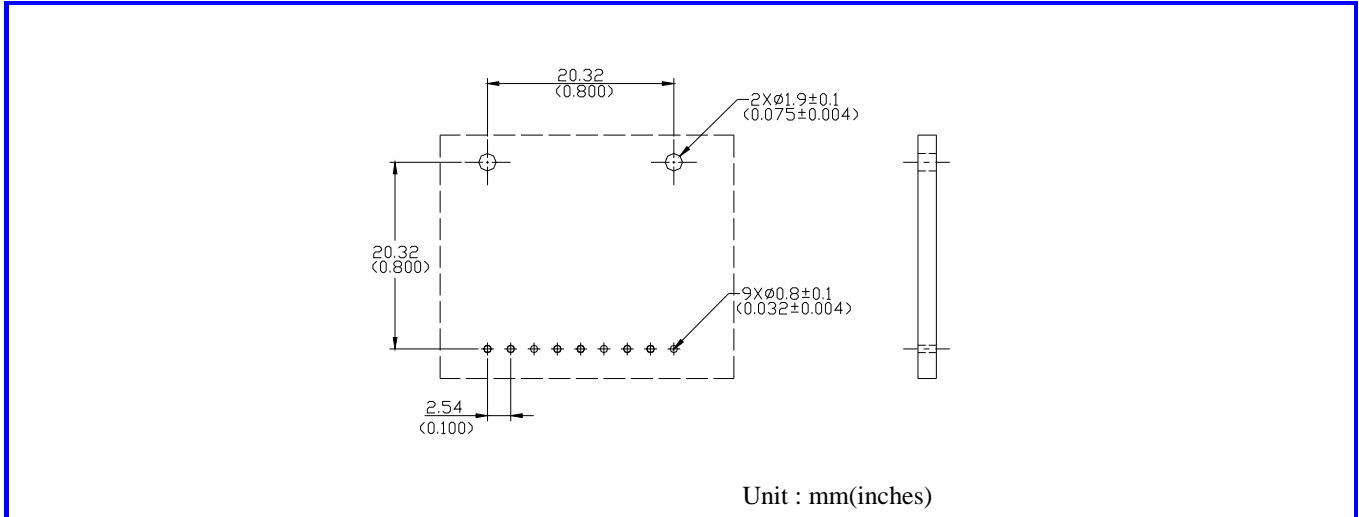
In order to get proper functionality, a recommended circuit is provided in above recommended circuit schematic. When designing the circuit interface, there are a few fundamental guidelines to follow.

- (1) The differential data lines should be treated as 50 Ω Micro strip or strip line transmission lines. This will help to minimize the parasitic inductance and capacitance effects. Locate termination at the received signal end of the transmission line. The length of these lines should be kept short and of equal length.
- (2) For the high speed signal lines, differential signals should be used, not single-ended signals, and these differential signals need to be loaded symmetrically to prevent unbalanced currents which will cause distortion in the signal.
- (3) Multi layer plane PCB is best for distribution of V_{CC} , returning ground currents, forming transmission lines and shielding, Also, it is important to suppress noise from influencing the fiber-optic transceiver performance, especially the receiver circuit.
- (4) A separate proper power supply filter circuits shown in Figure for the transmitter and receiver sections. These filter circuits suppress V_{CC} noise over a broad frequency range, this prevents receiver sensitivity degradation due to V_{CC} noise.
- (5) Surface-mount components are recommended. Use ceramic bypass capacitors for the 0.1 μ F capacitors and a surface-mount coil inductor for 1 μ H inductor. Ferrite beads can be used to replace the coil inductors when using quieter V_{CC} supplies, but a coil inductor is recommended over a ferrite bead. All power supply components need to be placed physically next to the V_{CC} pins of the receiver and transmitter.
- (6) Use a good, uniform ground plane with a minimum number of holes to provide a low-inductance ground current return for the power supply currents.



RoHS compliant
TX-1570/RX-1510 nm Single-mode, Single-Fiber (Bi-directional)
Transceiver 1x9, SC Simplex Connector, 3.3/5.0 V (80km)
1.0625Gbd Fiber Channel/1.25 Gigabit Ethernet

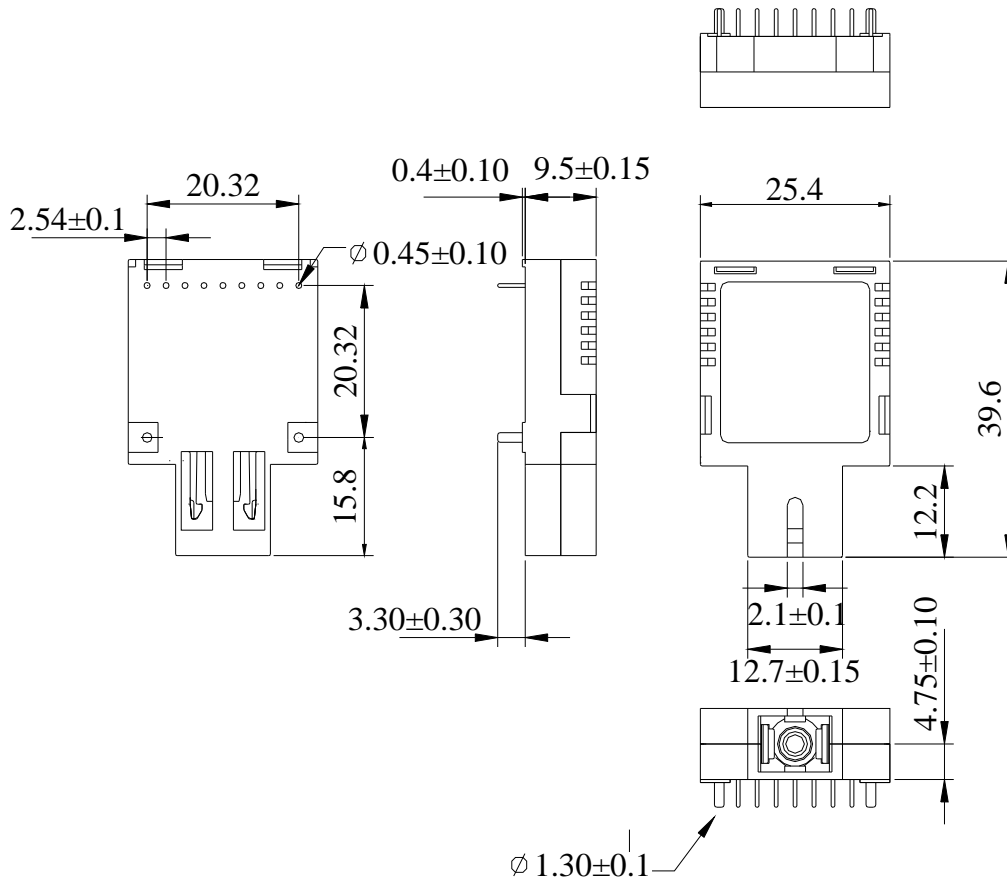
Recommended Board Layout Hole Pattern



This transceiver is compatible with industry standard wave or hand solder processes. After wash process, all moisture must be completely remove from the module. The transceiver is supplied with a process plug to prevent contamination during wave solder and aqueous rinse as well as during handling, shipping or storage.

Solder fluxes should be water-soluble, organic solder fluxes. Recommended cleaning and degreasing chemicals for these transceivers are alcohol's (methyl, isopropyl, isobutyl), aliphatics (hexane, heptane) and other chemicals, such as soap solution or naphtha. Do not use partially halogenated hydrocarbons for cleaning/degreasing.

Drawing Dimensions


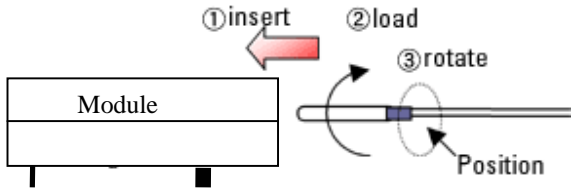


ALL DIMENSIONS ARE ±0.20mm UNLESS OTHERWISE SPECIFIED

Unit : mm

Optical Receptacle Cleaning Recommendations

All fiber stubs inside the receptacle portions were cleaned before shipment. In the event of contamination of the optical ports, the recommended cleaning process is the use of forced nitrogen. If contamination is thought to have remained, the optical ports can be cleaned using a NTT international Cletop® stick type and HFE7100 cleaning fluid. Before the mating of patchcord, the fiber end should be cleaned up by using Cletop® cleaning cassette.

<p>Cleaning of patchcord</p> 	<p>Cleaning of fiber stub</p>  <ol style="list-style-type: none"> 1. Insert Ensure that stick is held straight when inserting into sleeve. 2. Load Apply sufficient pressure (approx 600-700g) to ensure ferrule a little depressed in sleeve. 3. Rotate Rotate stick clockwise 4-5 times, while ensuring direct contact with ferrule end-face is maintained. <p><i>Notice: Number of possible wipes: Maintenance (repair) ~1 use / piece Equipment construction: 4 uses / piece (max.)</i></p>
--	--

Note: The pictures were extracted from NTT-ME website. And the Cletop® is a trademark registered by NTT-ME



RoHS compliant
TX-1570/RX-1510 nm Single-mode, Single-Fiber (Bi-directional)
Transceiver 1×9, SC Simplex Connector, 3.3/5.0 V (80km)
1.0625Gbd Fiber Channel/1.25 Gigabit Ethernet

Eye Safety Mark

<p>The LSB series Single mode transceiver is a class 1 laser product. It complies with EN 60825-1 and FDA 21 CFR 1040.10 and 1040.11. In order to meet laser safety requirements the transceiver shall be operated within the Absolute Maximum Ratings.</p> <p><u>Caution</u> All adjustments have been done at the factory before the shipment of the devices. No maintenance and user serviceable part is required. Tampering with and modifying the performance of the device will result in voided product warranty.</p>	<p><u>Required Mark</u></p> <div style="border: 1px solid black; padding: 5px; text-align: center;"><p>Class 1 Laser Product Complies with 21 CFR 1040.10 and 1040.11</p></div>
---	--

Note : All information contained in this document is subject to change without notice.